

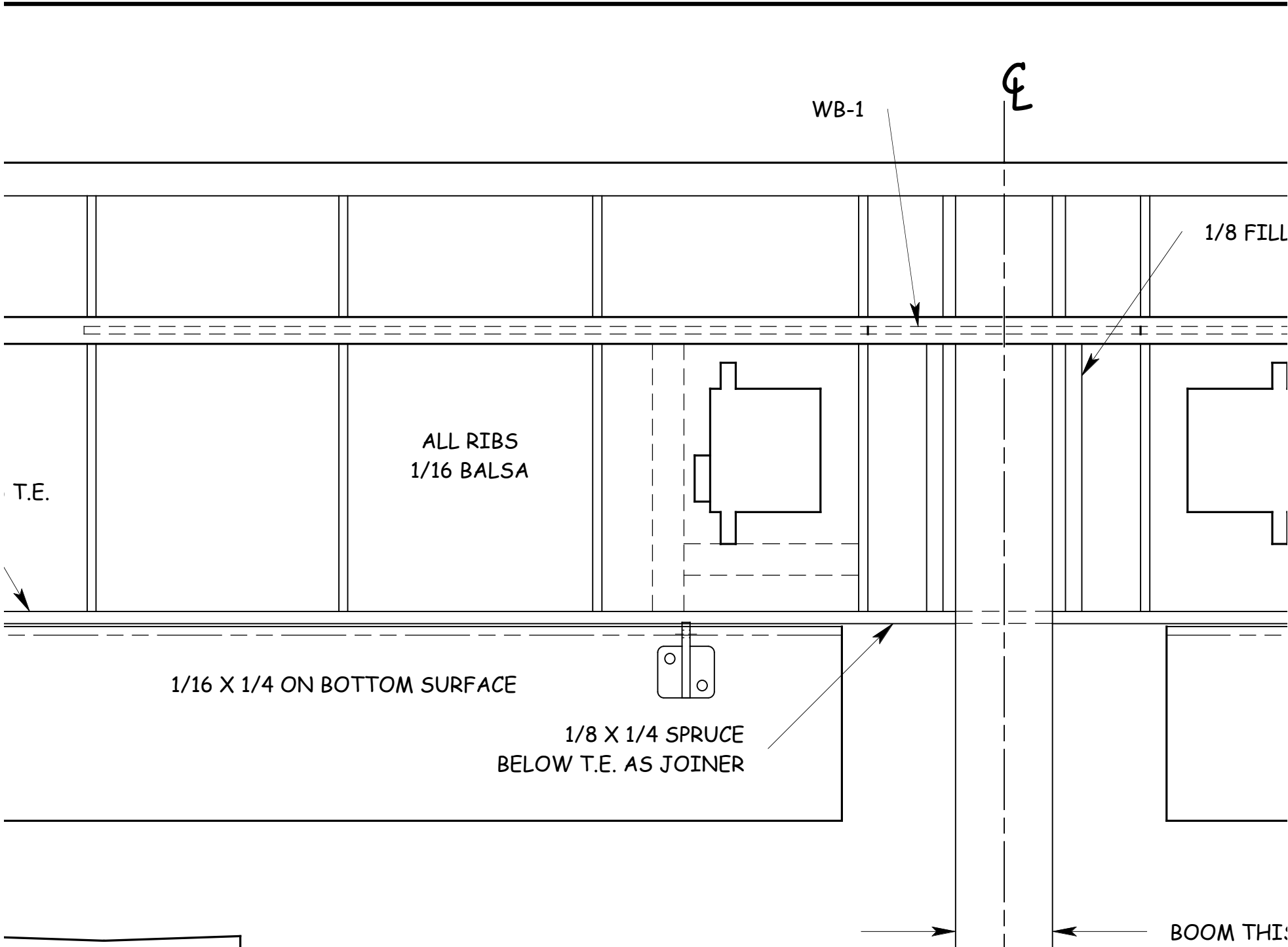
1/16 SHEET TIPS

1/4 X 5/16 L.E.

1/8 X 3/16 TOP
AND BOTTOM
SPARS

1/8 X 3/16

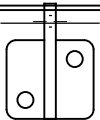
1/8 Balsa Ailerons
SR GAPLESS HINGE TAPE (TYPICAL)



1/16 Balsa on
Wing Top

1/16 Vertical
Grain to Here

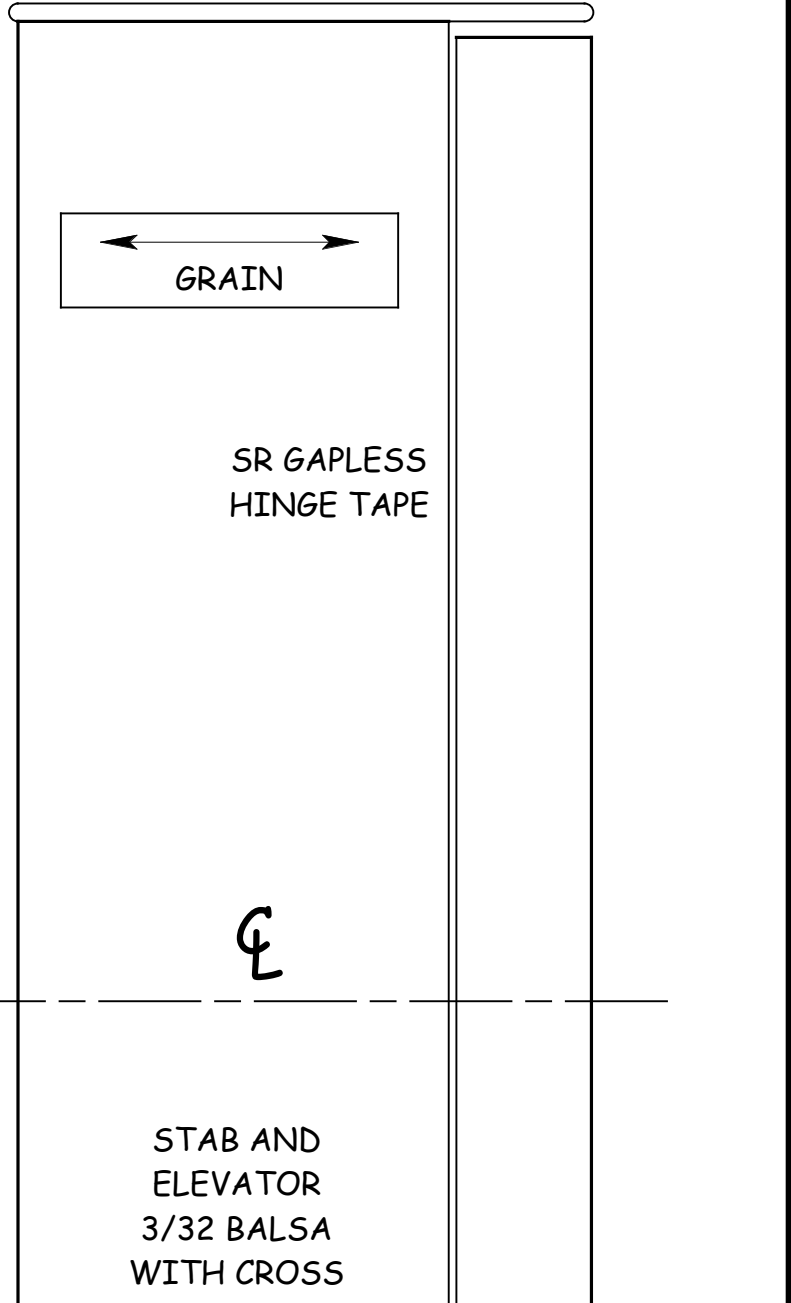
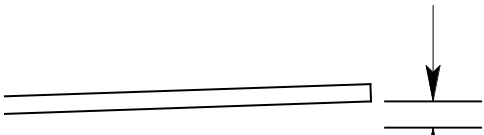
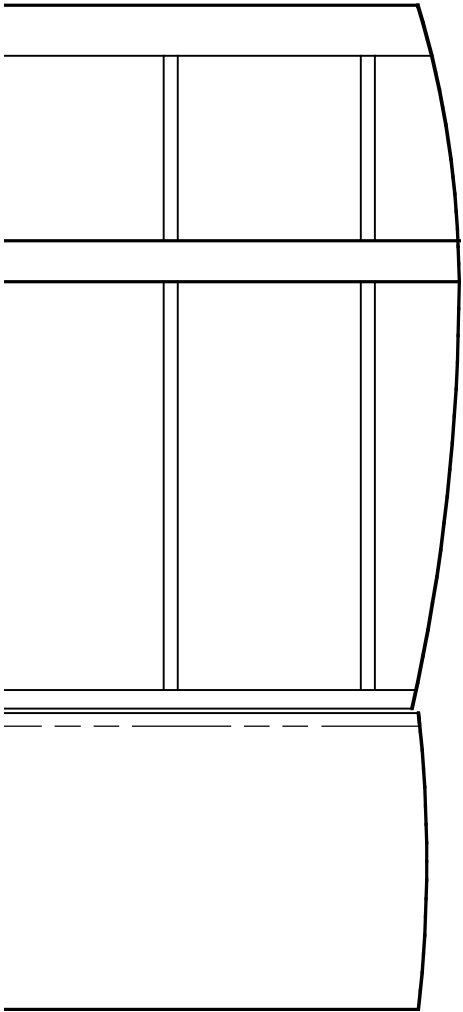
NOTE SEPARATE
SERVO FOR EACH
AILERON



DUBRO MINI
CONTROL HORNS

S AREA



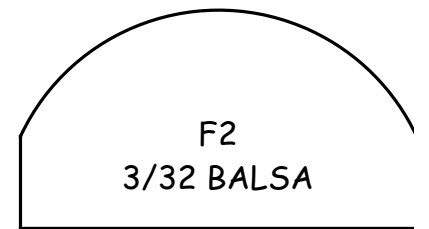
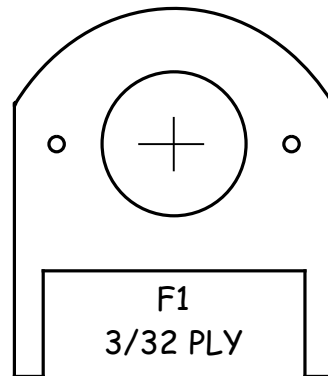
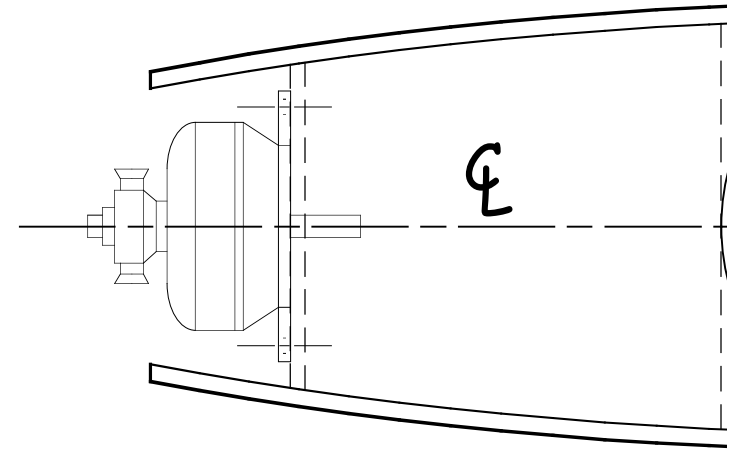
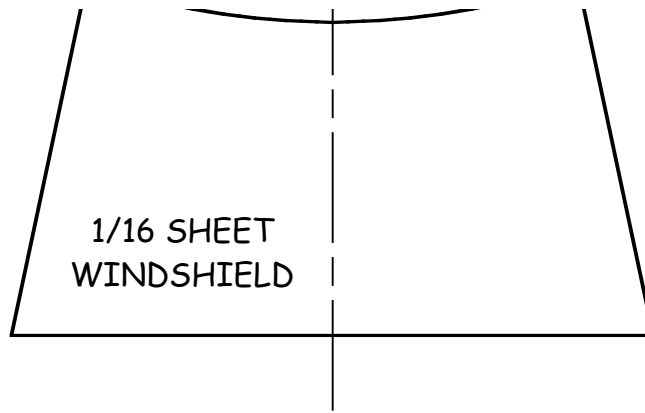


GRAIN

SR GAPLESS
HINGE TAPE

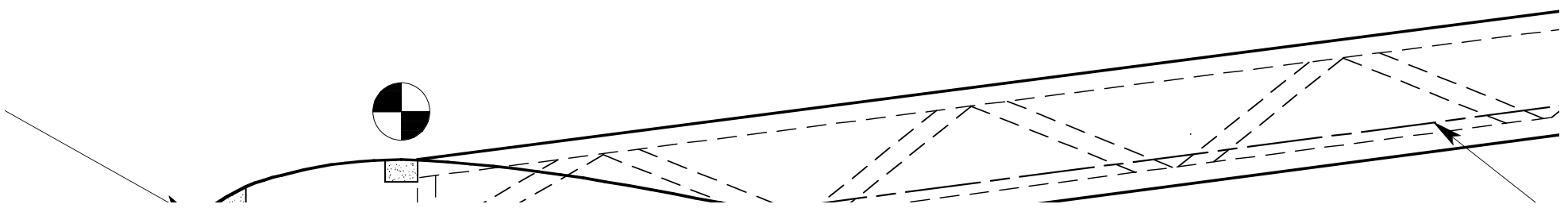
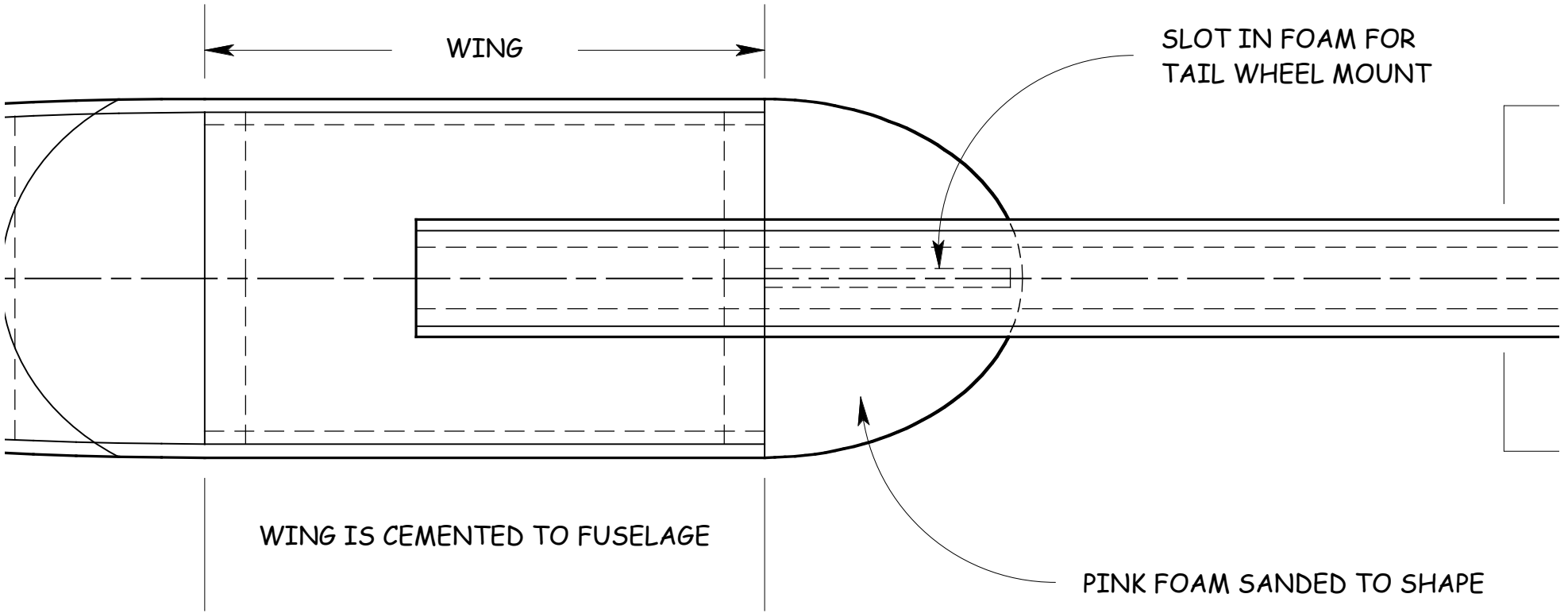
ⓔ

STAB AND
ELEVATOR
3/32 Balsa
WITH CROSS

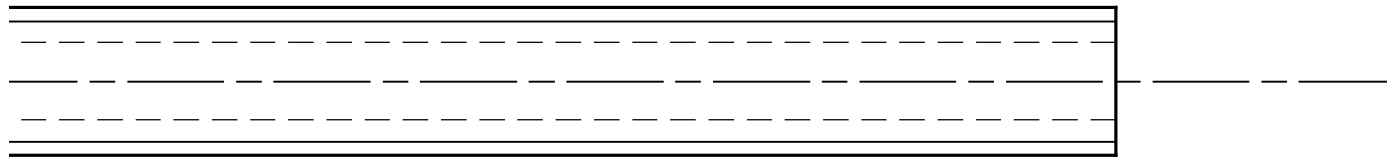
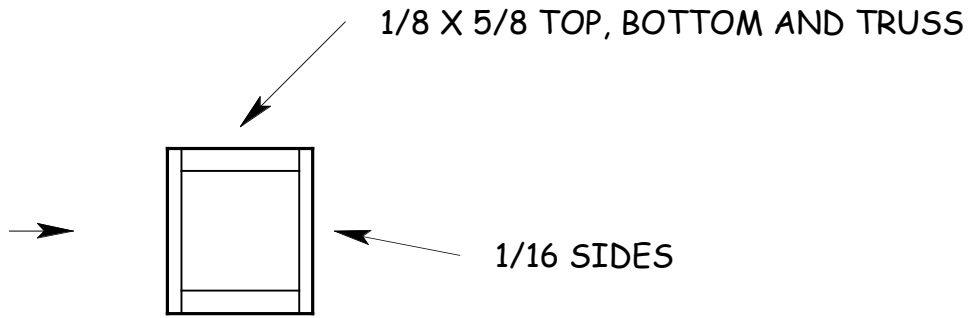


SOFT BALSA FILL

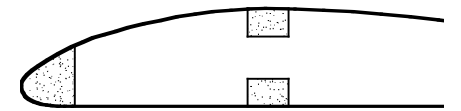
WB-1 1/16 PLY



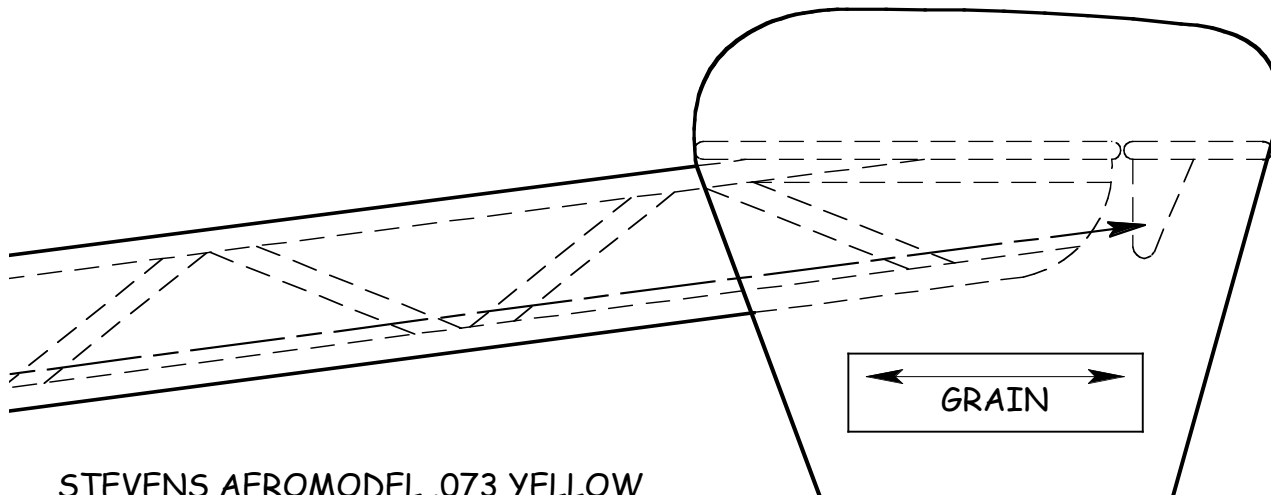
DIHEDRAL, NOT TO S



→ BOOM CROSS SECTION



MAKE 18 RIBS FROM



STEVENS AEROMODEL .073 YELLOW

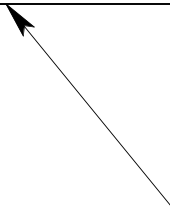
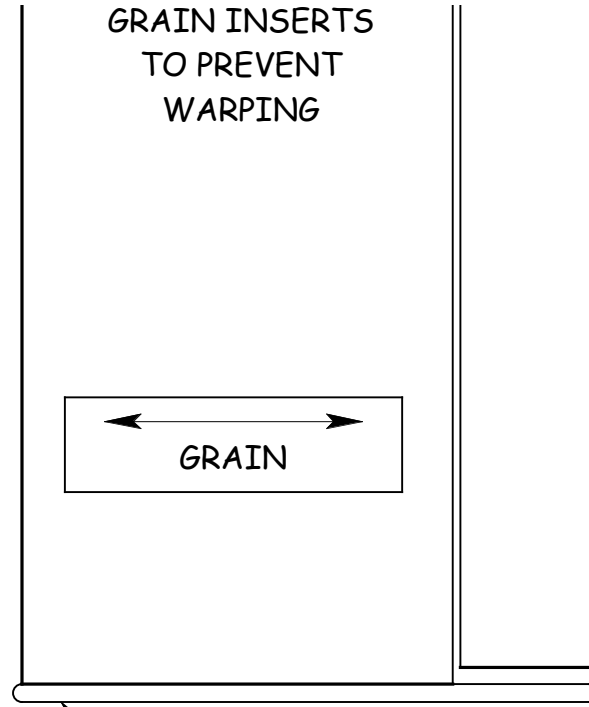
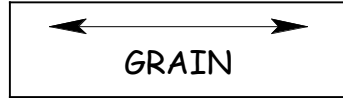
DUBRO MICRO2
CONTROL HORN (#919)

SCALE

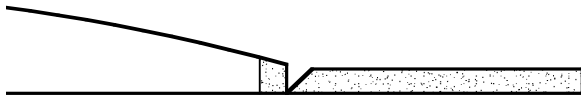
1/2 IN.
EACH TIP



GRAIN INSERTS
TO PREVENT
WARPING



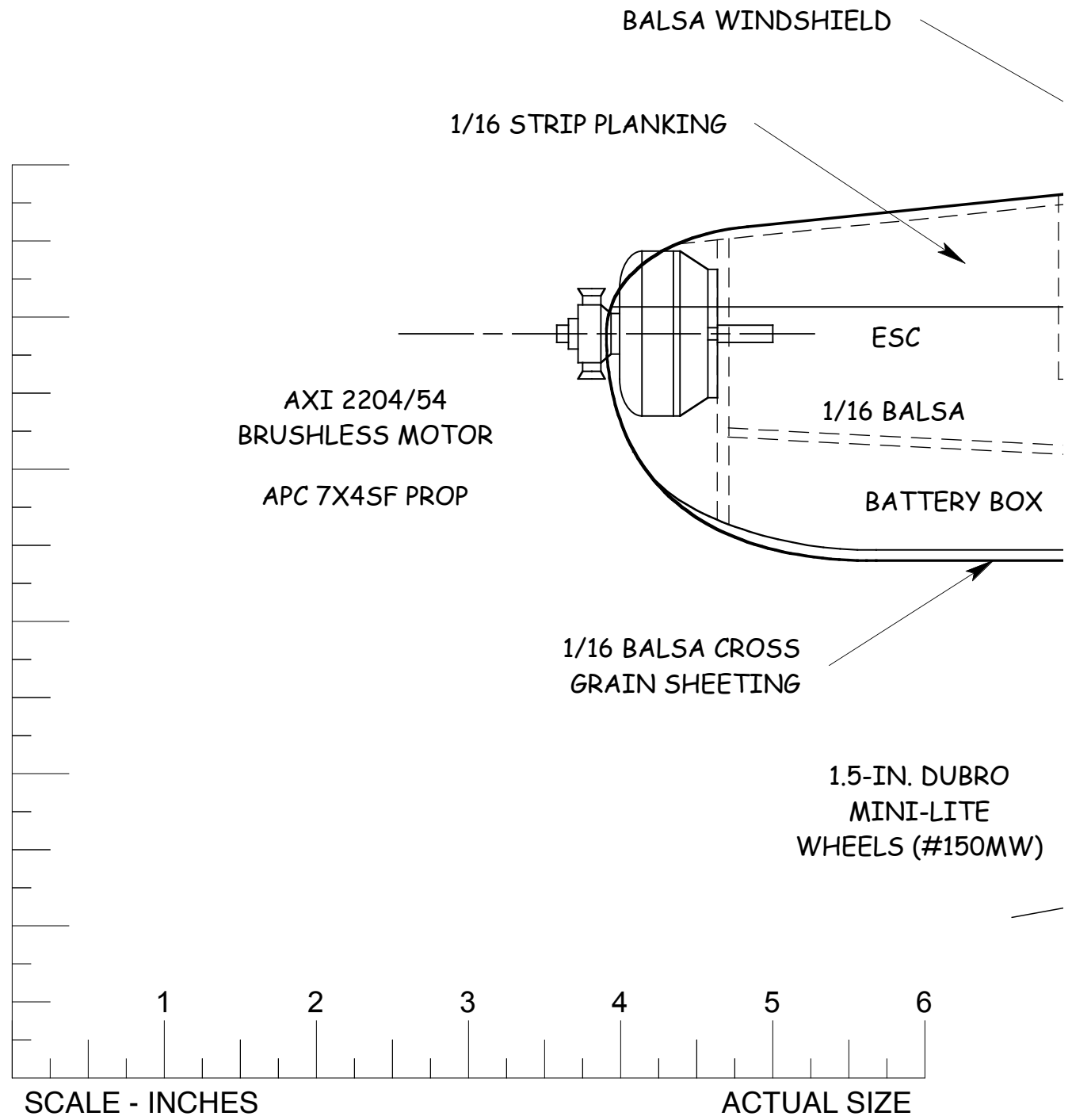
FINS, GLUE TO ENDS
OF STABILIZER

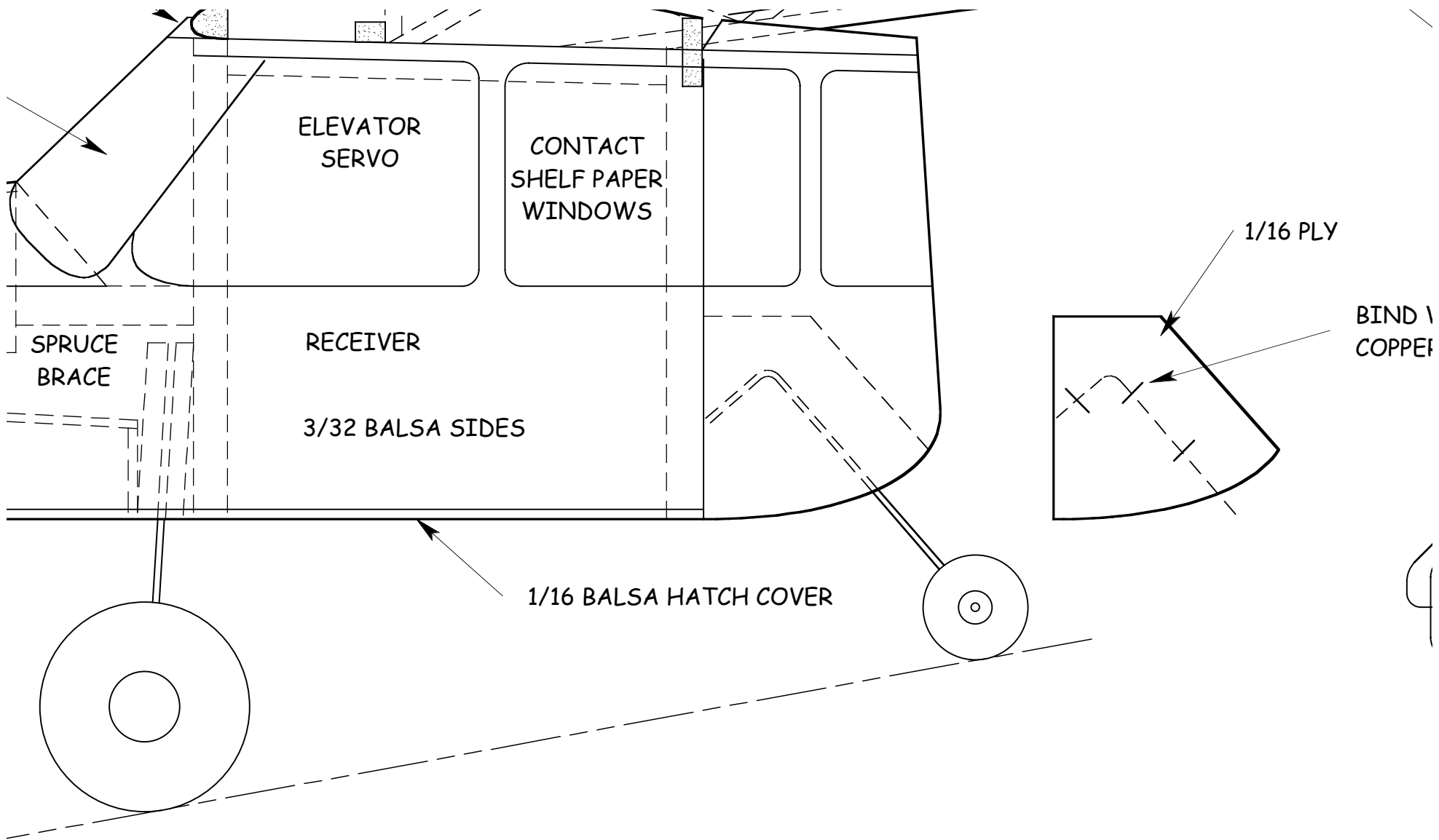


1/16 BALSA

1/8 AILERONS







THIS PLAN

TEFLON TUBE & .015 MUSIC WIRE PUSH
ROD FOR ELEVATOR (BUILD INTO BOOM)



2 FINS, 3/32 Balsa
VERTICAL GRAIN WITH
CROSS GRAIN INSERT
TO PREVENT WARPING

3/32 WHEEL COLLARS,
OR SOLDERED WASHERS

WITH
2 WIRE



1/16 DIA. WIRE

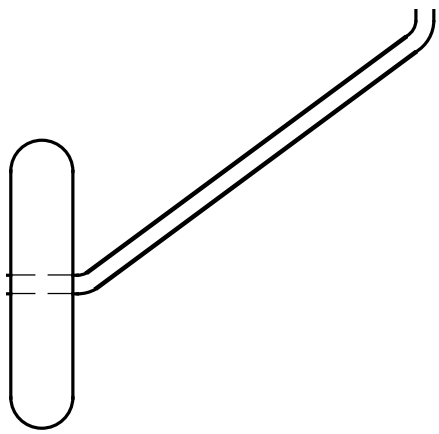
3/4-IN. DUBRO TAILWHEEL

MAY BE REPRODUCED FOR PERSONAL MODELING USE ONLY
ALL COMMERCIAL RIGHTS RESERVED

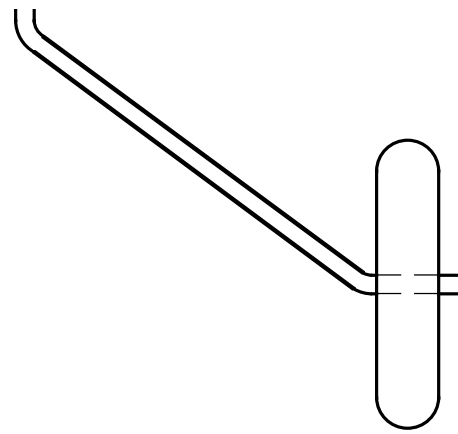
SP,
WEIGH

©;

CAD DRAWING E



.078 MUSIC WIRE
LANDING GEAR



BOEING L-15 SCOUT

AN ELECTRIC FANTASY SCALE MODEL

DESIGNED BY BOB ABERLE - 2008

SPAN: 29 INCHES WING AREA: 150 SQUARE INCHES LENGTH: 20 INCHES

WT: 9.5 OUNCES WING LOADING: 9 OUNCES / SQUARE FOOT

© 2009, MAPLEGATE MEDIA GROUP AND BOB ABERLE, ALL RIGHTS RESERVED

BY THAYER SYME

DRAWN WITH ASHLAR-VELLUM GRAPHITE CAD SOFTWARE
