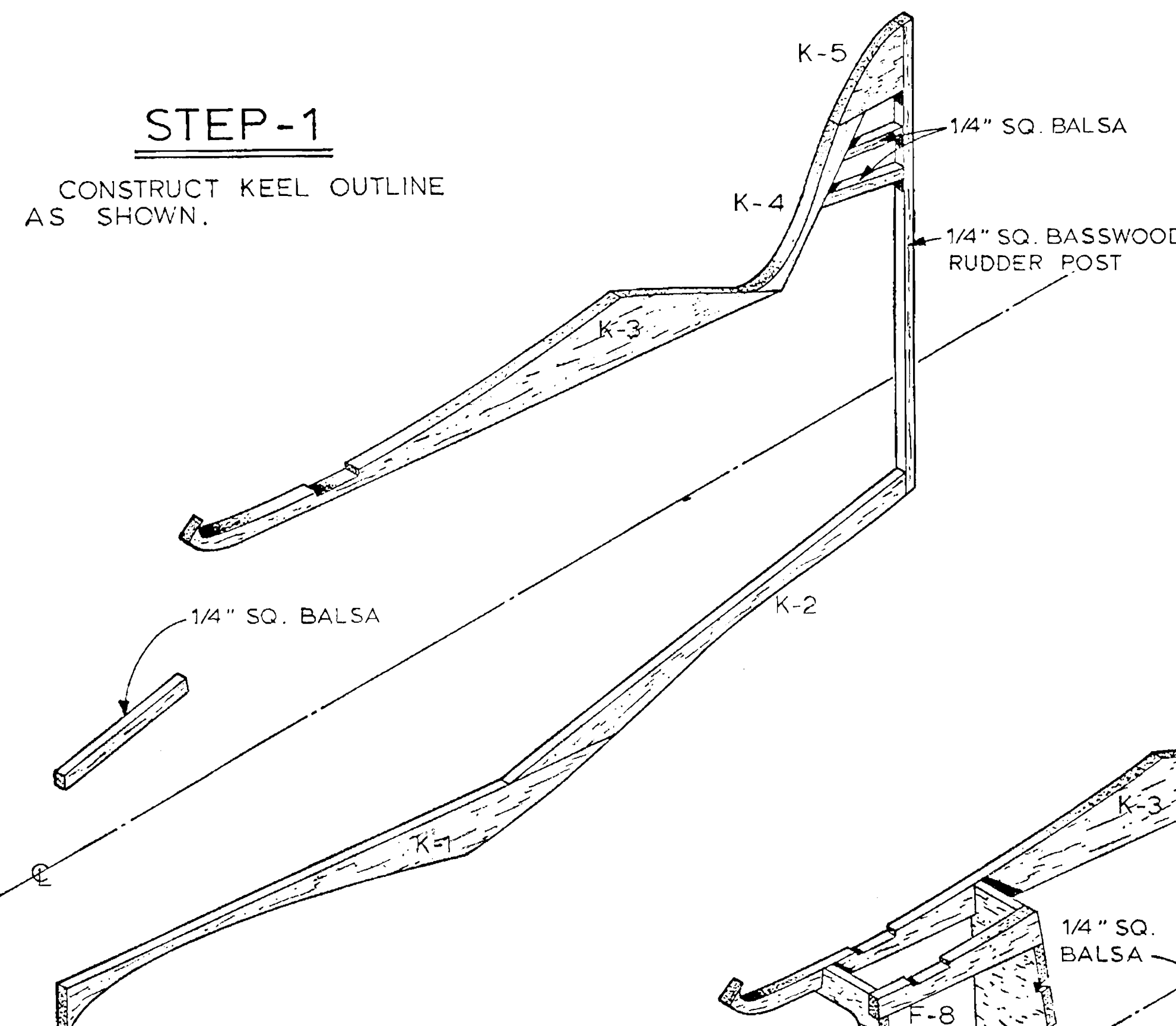


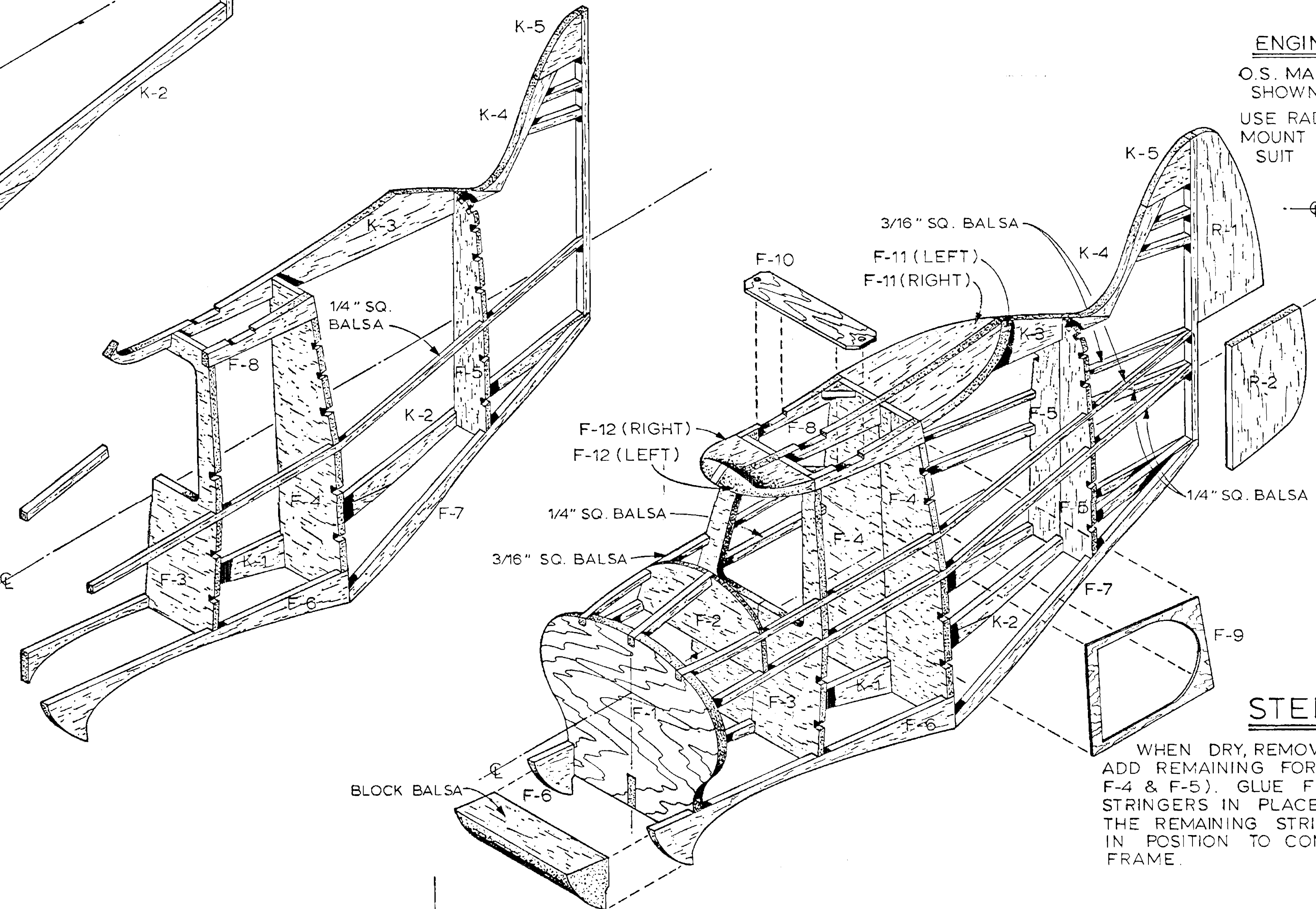
STEP-1

CONSTRUCT KEEL OUTLINE AS SHOWN.



STEP-2

ADD FORMERS F-3, F-4, & F-5 TO KEEL. WHEN DRY CEMENT F-8, F-7, & F-6 IN PLACE. ALSO GLUE 1/4" SQ Balsa STRINGER IN PLACE AS SHOWN.

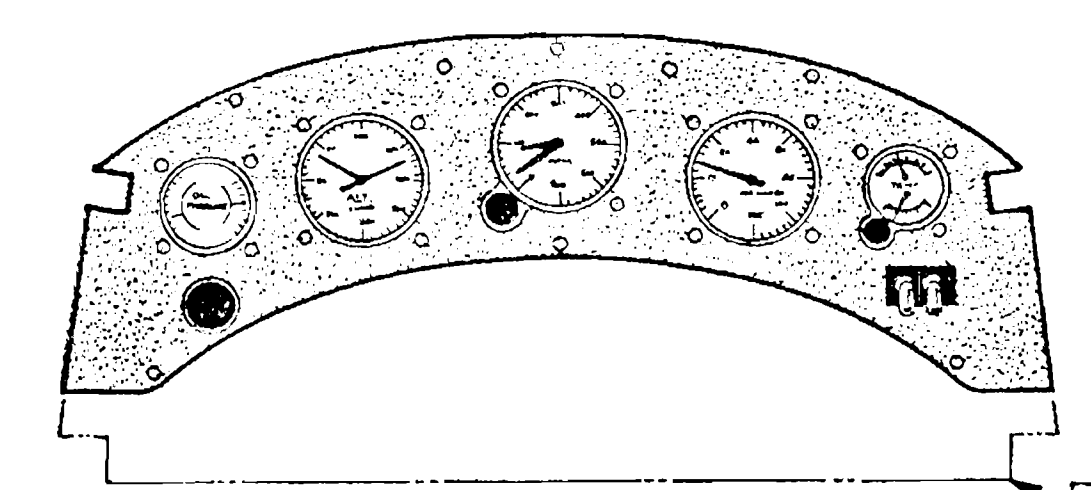


FUSELAGE CONSTRUCTION DETAIL

NOTE:
SEMI-KIT AVAILABLE
FORMERS & RIBS---\$50.00 PPD.
FIBERGLASS COWL---\$10.00 PPD.
ADD \$3.00 FOR AIRMAIL.
ORDER FROM:
R.C. SWEITZER ENTERPRISES
P.O. BOX 834
HILLSBORO, OREGON, 97123
PHONE (503)-640-5102

INSTRUMENT PANEL

ATTACH TO FORMER F-2



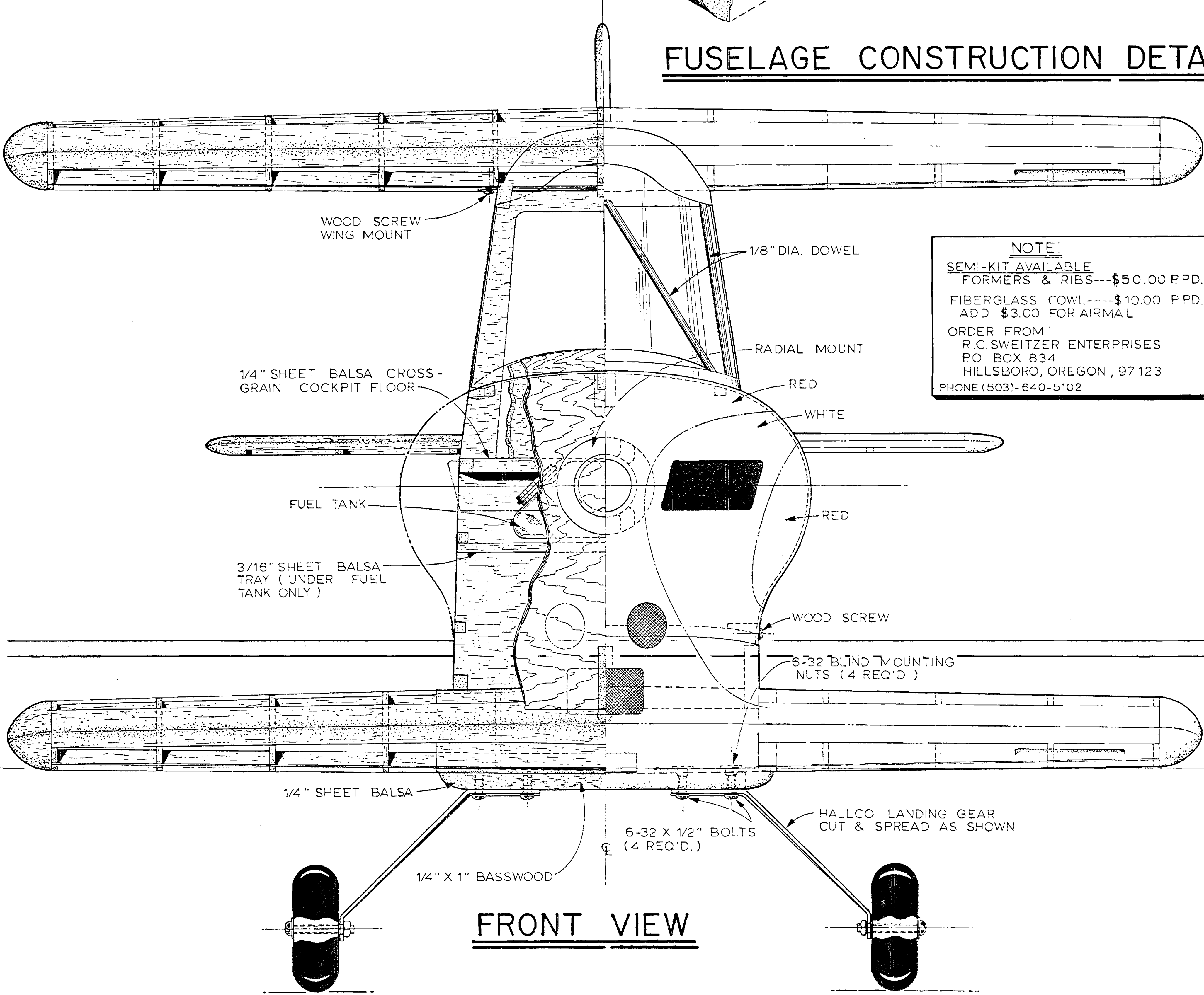
ENGINE

O.S. MAX .25 SHOWN
USE RADIAL MOUNT TO SUIT

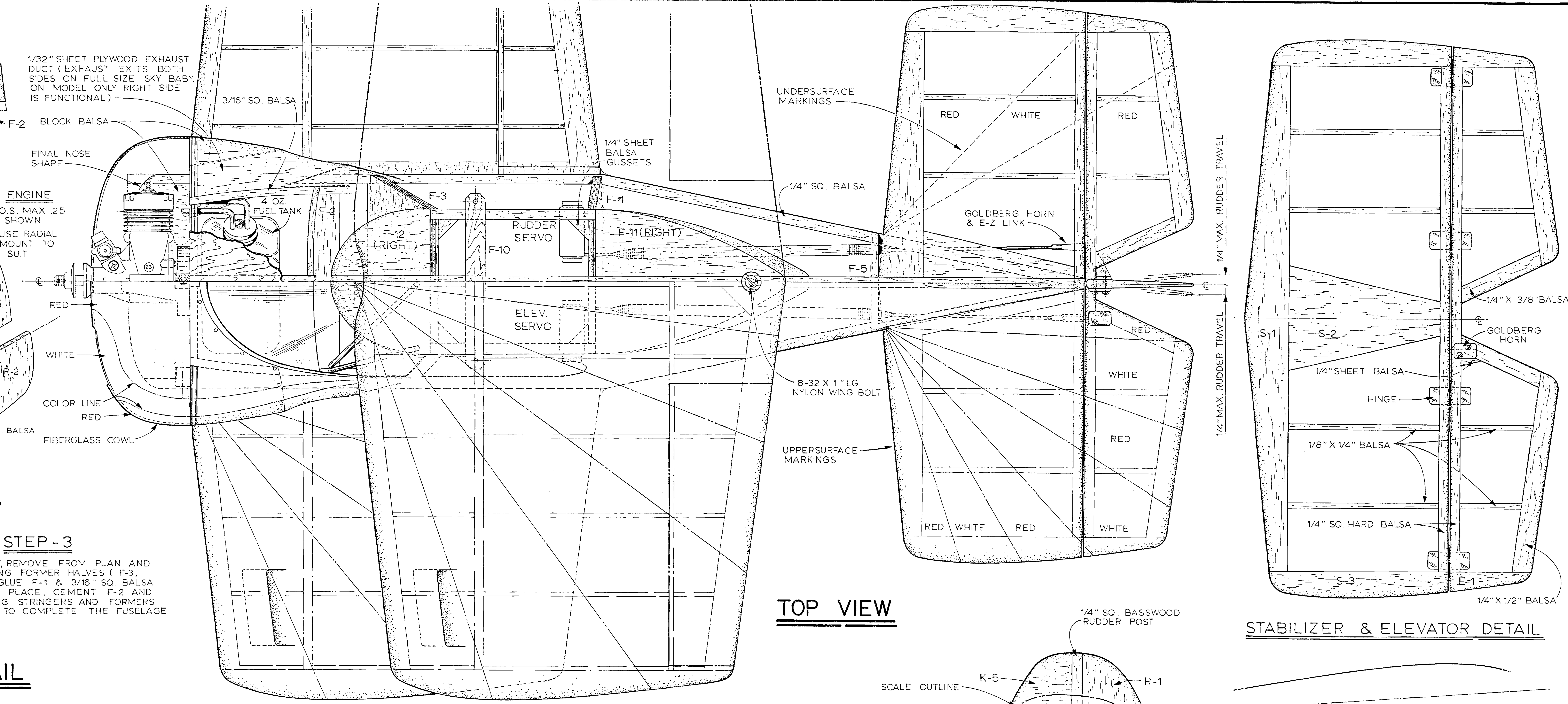
STEP-3

WHEN DRY, REMOVE FROM PLAN AND ADD REMAINING FORMER HALVES (F-3, F-4 & F-5). GLUE F-1 & 3/16" SQ Balsa STRINGERS IN PLACE. CEMENT F-2 AND THE REMAINING STRINGERS AND FORMERS IN POSITION TO COMPLETE THE FUSELAGE FRAME.

NOTE:
COCKPIT INTERIOR COLOR-LT BLUE

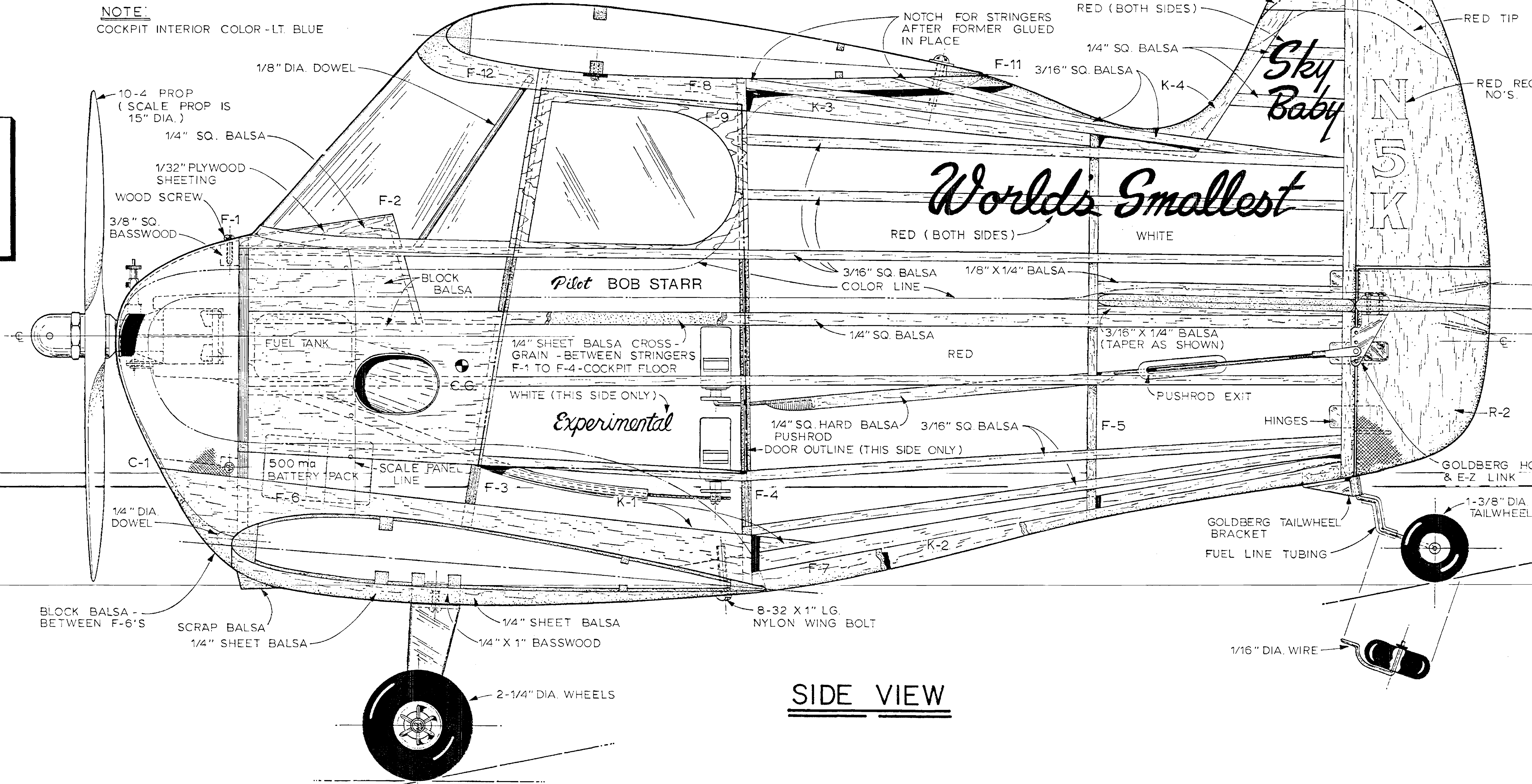
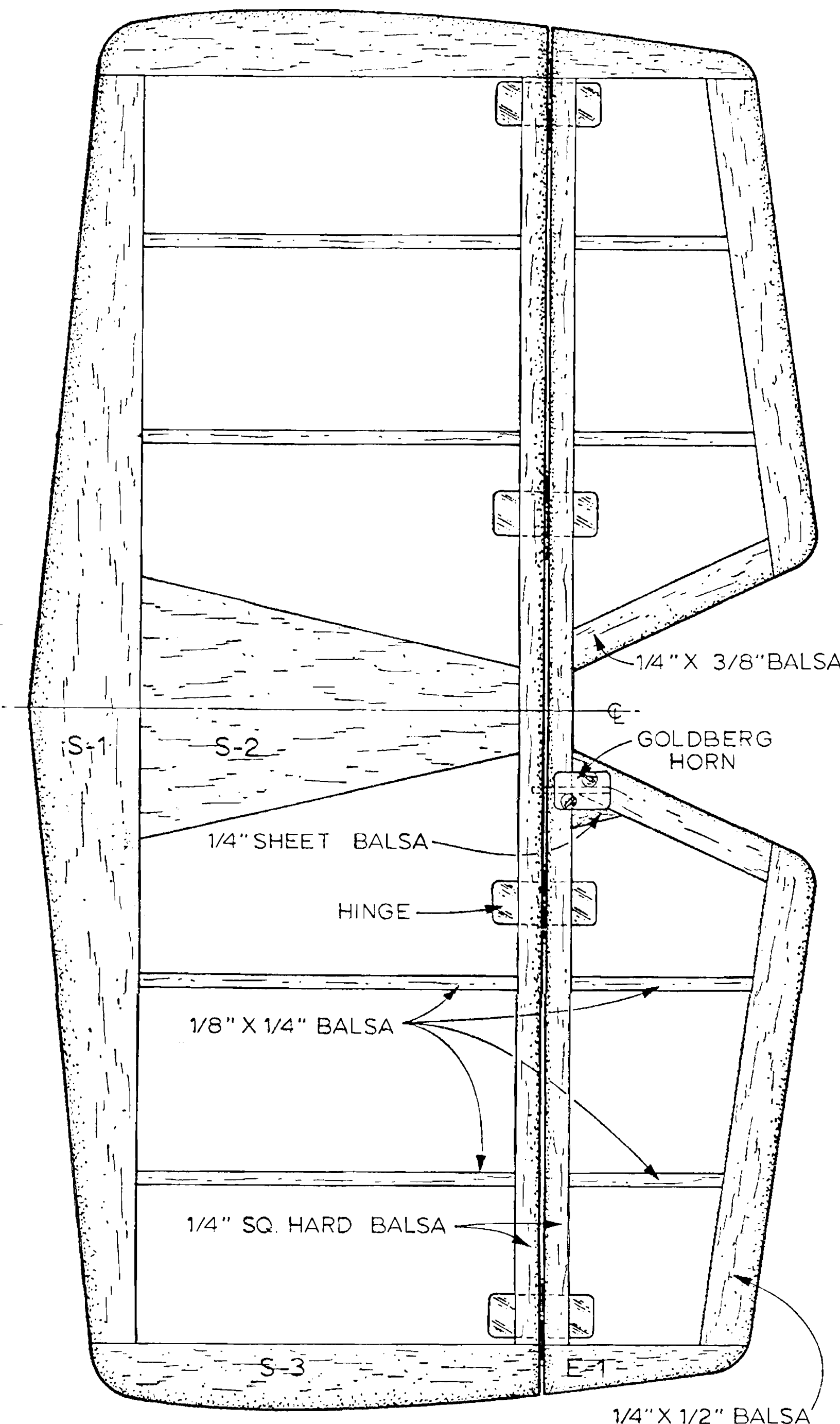


FRONT VIEW

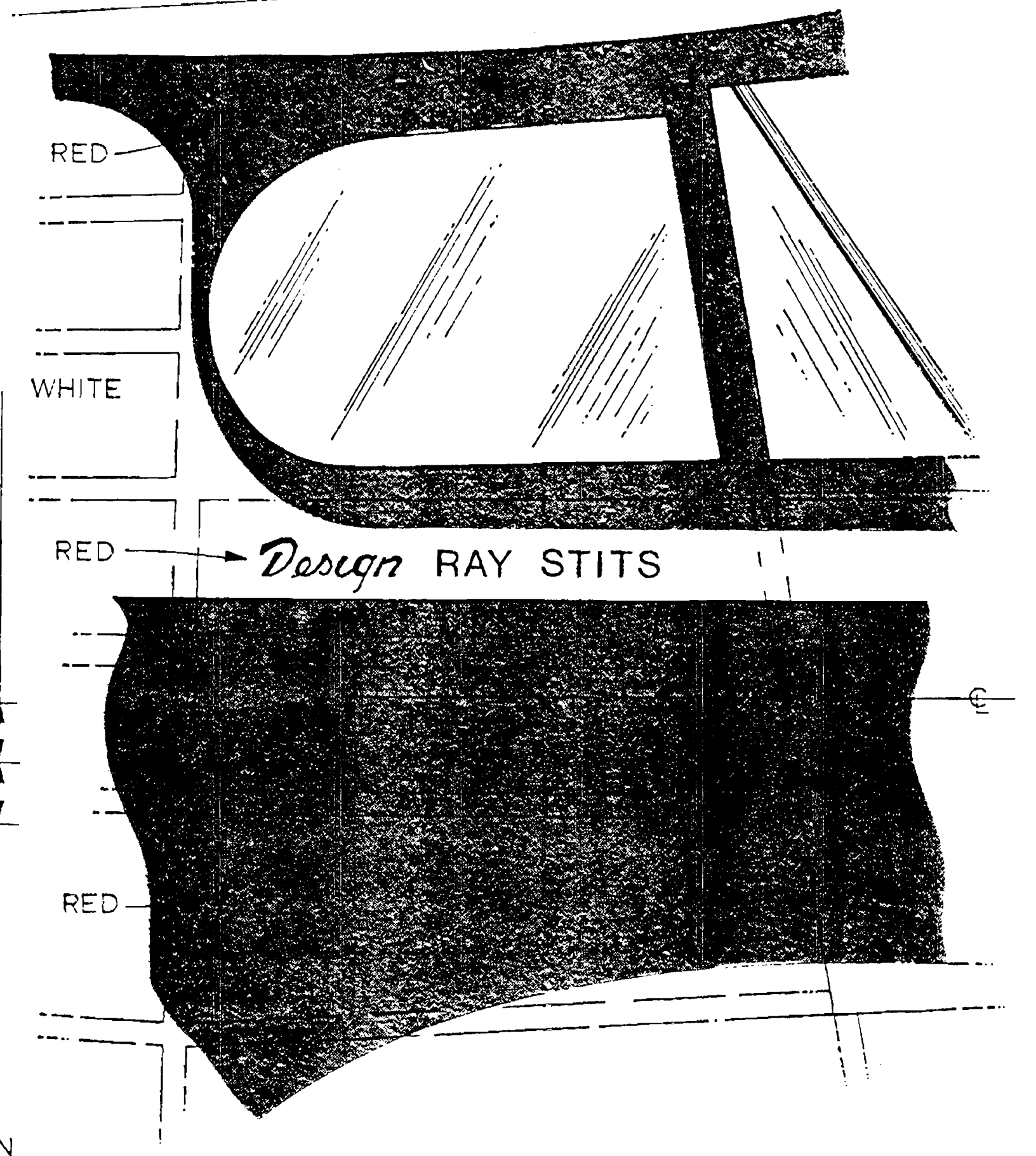


TOP VIEW

STABILIZER & ELEVATOR DETAIL



SIDE VIEW



COCKPIT - RIGHT SIDE - MARKING DETAIL

NAMES- RAY STITS & BOB STARR - USE RED 24 PT. HELVETICA LIGHT DRY TRANSFER LETTERS.



© RCM ALL COMMERCIAL RIGHTS RESERVED
STITS "SKY BABY"
1/4 SCALE MODEL

DESIGNED & DRAWN BY
KEN WILLARD
PLANS BY
Robert C. Sweitzer



