



CAT. No. 691 KP.

FULL SIZE DRAWING OF THE



# "CONDOR"

AN ADVANCED STUNT MODEL FOR 1cc TO 2cc ENGINES.

SPECIFICATION:	
SPAN	32ins.
LENGTH	22 1/2ins.
WEIGHT	13ozs.
WING AREA	237 sq. ins.



Fig. 1

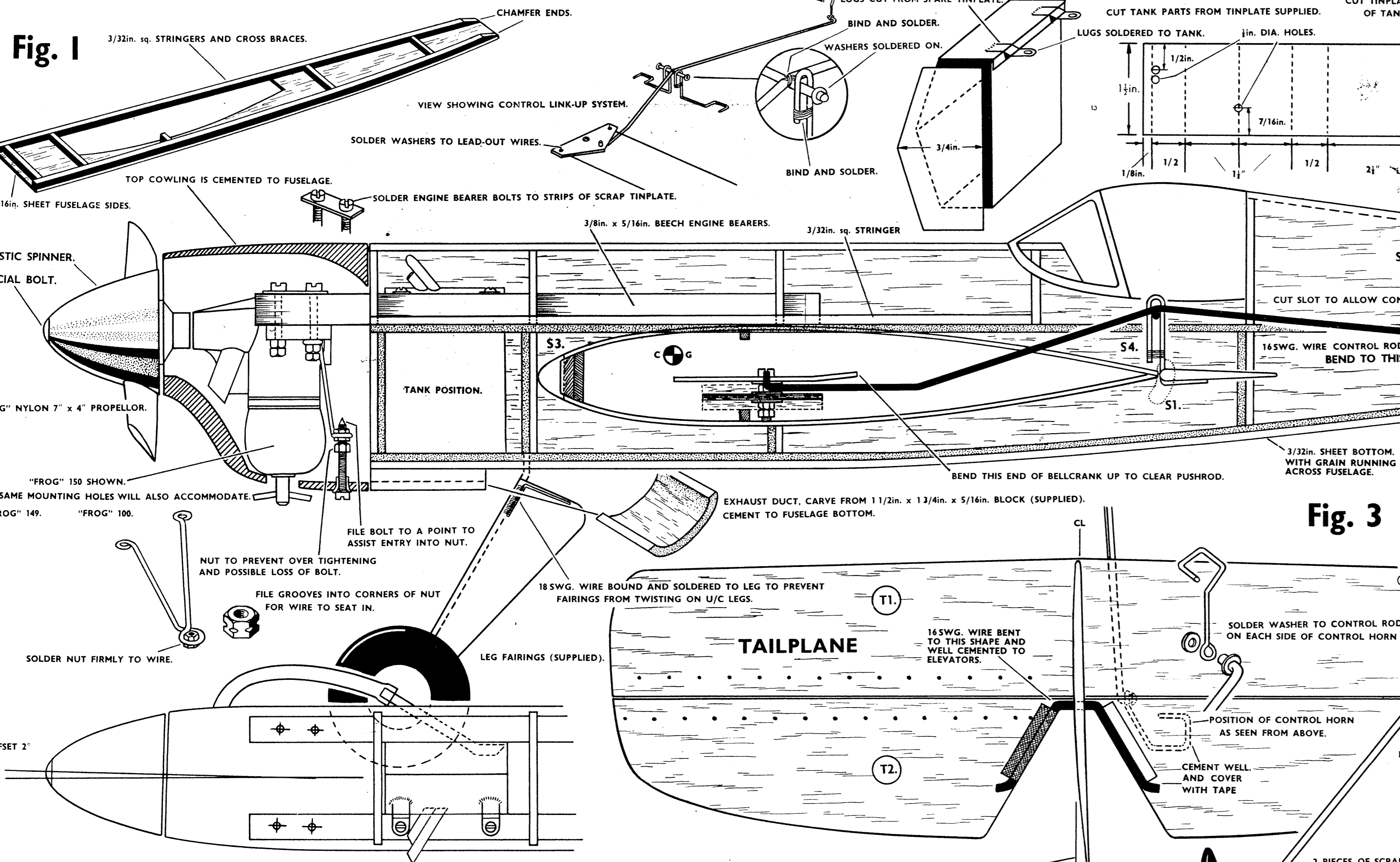


Fig. 2

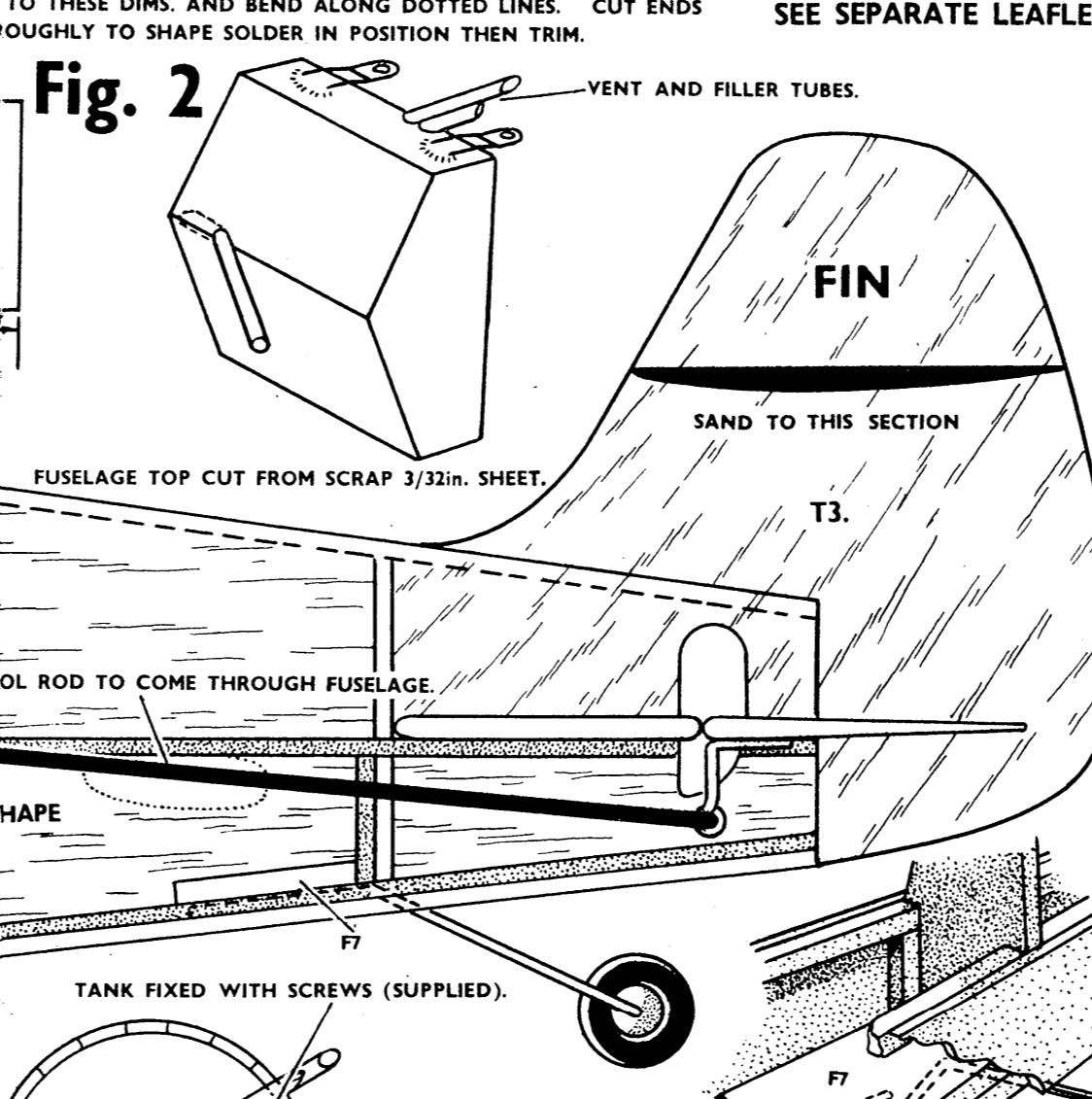


Fig. 4

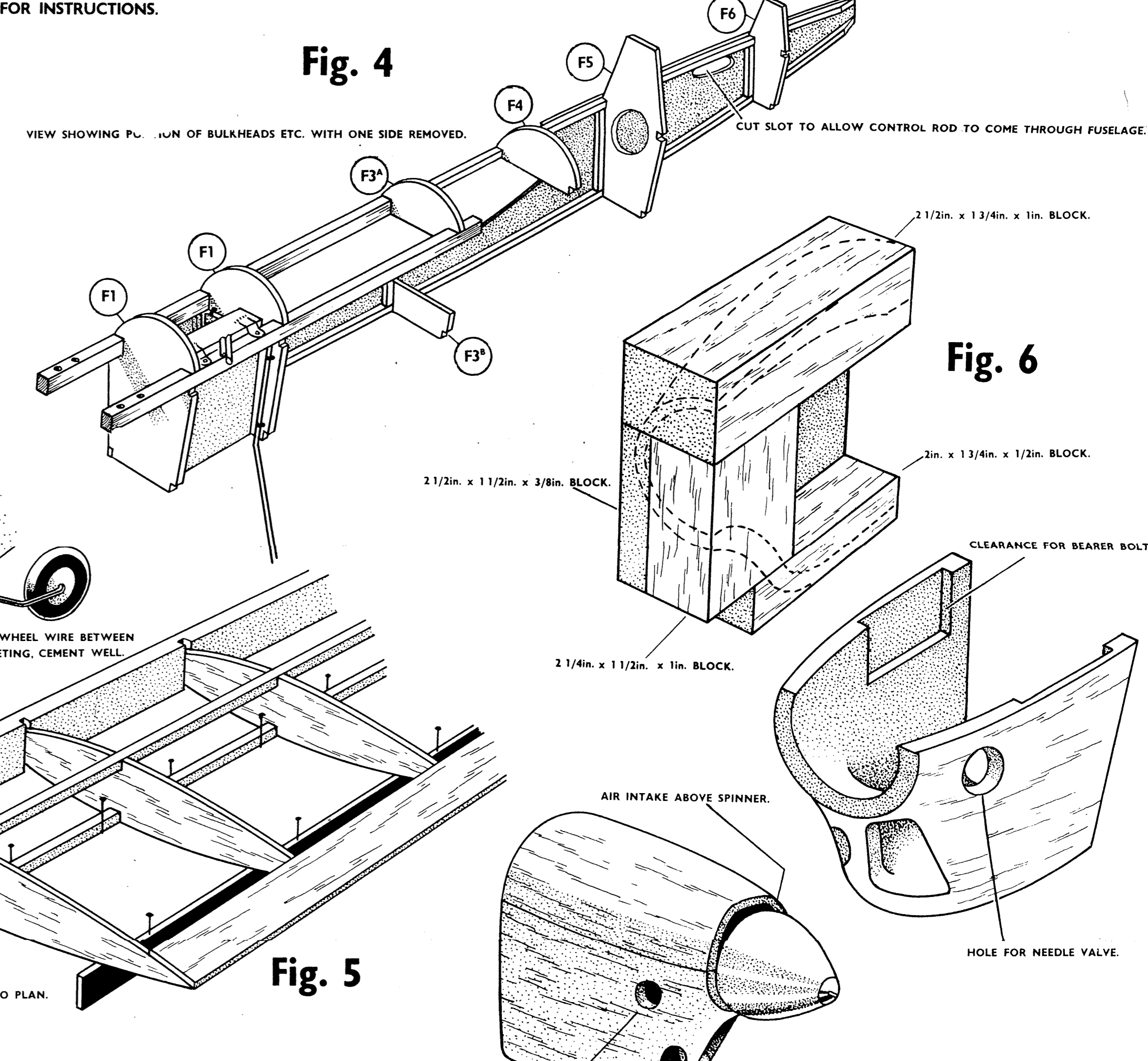


Fig. 6

Fig. 3

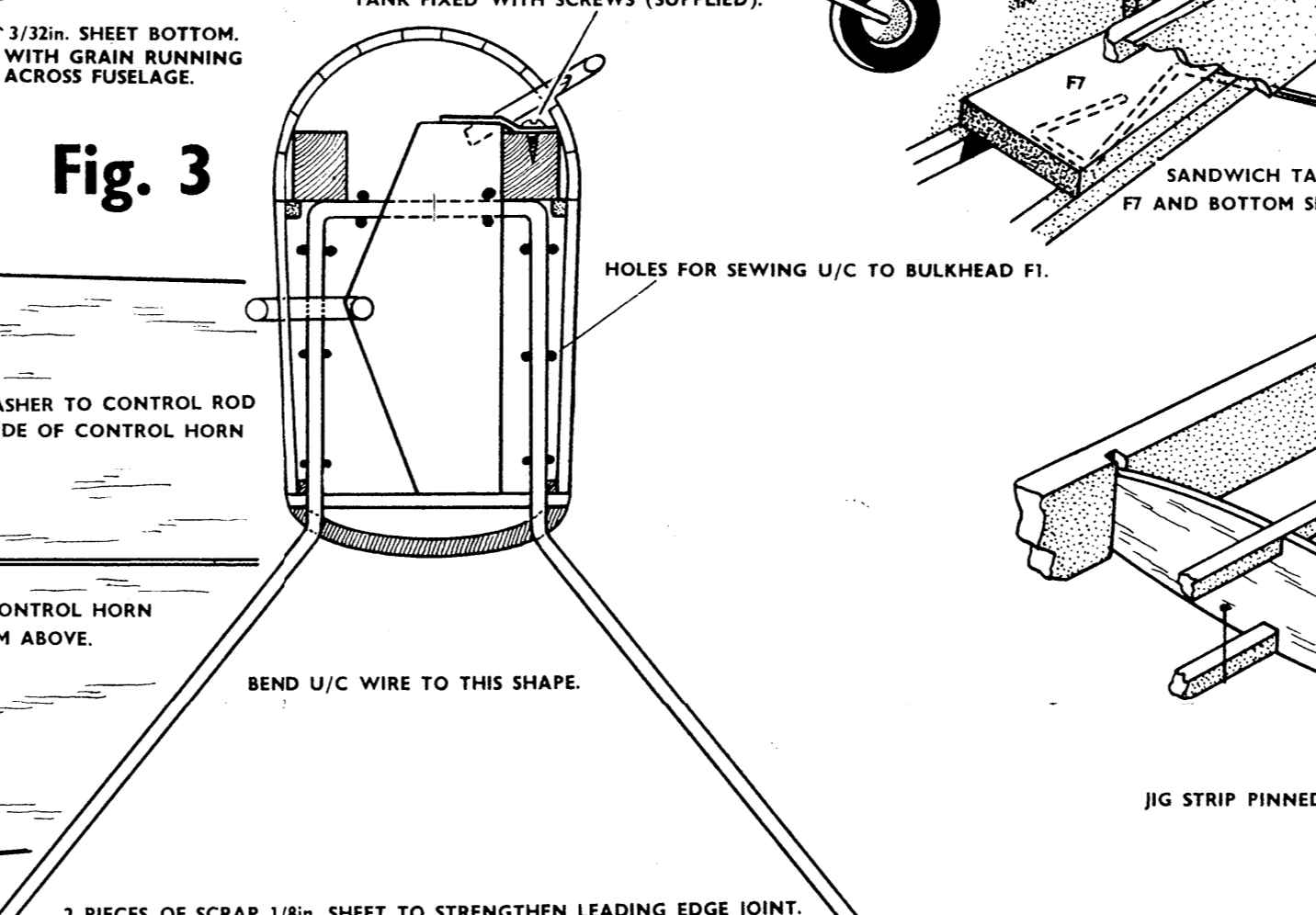


Fig. 5

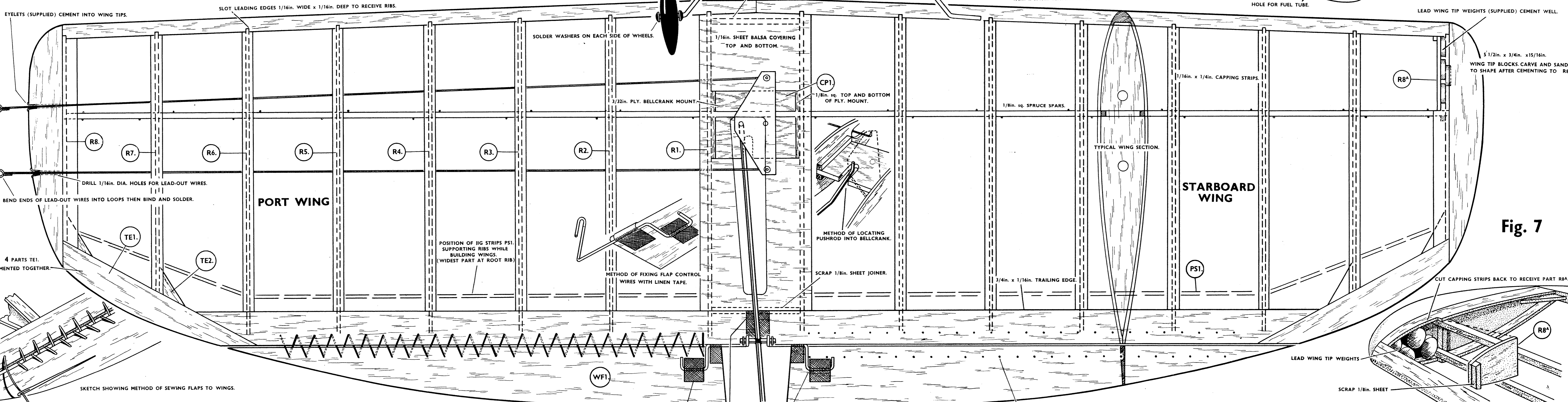
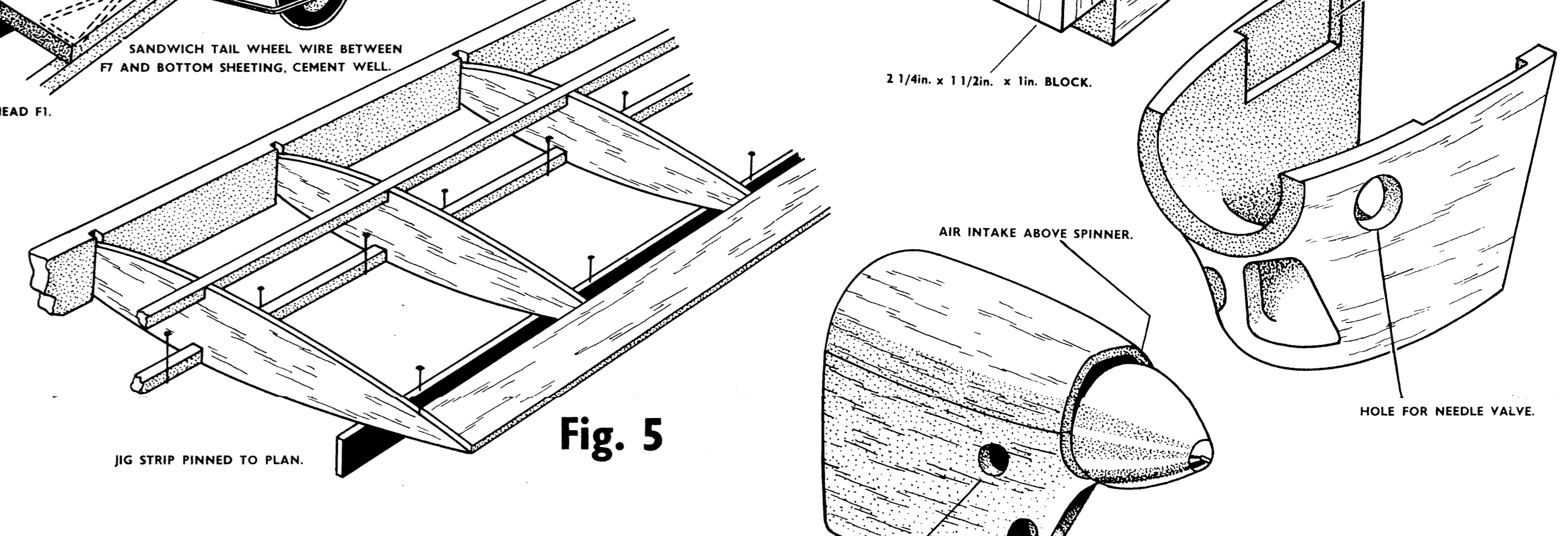


Fig. 8

Fig. 7